



LEW1

Single phase STS prepayment meter



LEW1 meter designed to work in severe climate conditions, low cost solution in a compact shape dedicated for STS vending systems.

MAIN FEATURES

- Easy to install and use
- Advanced tamper detection
- Extremely robust and good readable display
- Programmable power and current limit
- Display of recently introduced 10 codes
- Reverse energy measurement
- Remaining credit forecast
- Low credit alarms
- Emergency credit
- Event register

OPTIONAL FEATURES

- Remote LEW CIU (Customer Interface Unit)
- Social power



Reliable, Simple and Economical

SPECIFICATIONS

Voltage ratings

Reference voltage (U_n)	230 V
Voltage range	0.8 – 1.15 U_n
Supply frequency	50 Hz

Current ratings

Starting current	0.4 % I_b
Basic current (I_b)	5 / 10 / 15 / 20 A
Maximum current	20 / 40 / 60 / 80 A

Power consumption in voltage circuits < 1 W / < 3 VA

Pulse constant 1000 imp/kWh

Rated insulation voltage 6 kV

Over voltage protection 4 / 8 / 12 kV

Accuracy class 1 or 2 / B or A

IP Rating IP 54

Display LED 8-digits

System STS

Weather conditions

Working temperature	-40 to +70 °C
Humidity	90 %

Cable size 2.5 – 35 mm²

Dimensions w/h/d 130 / 200 / 62 mm

Weight 0.8 kg

Standards EN 50470

EN 62052-11

EN 62053-21

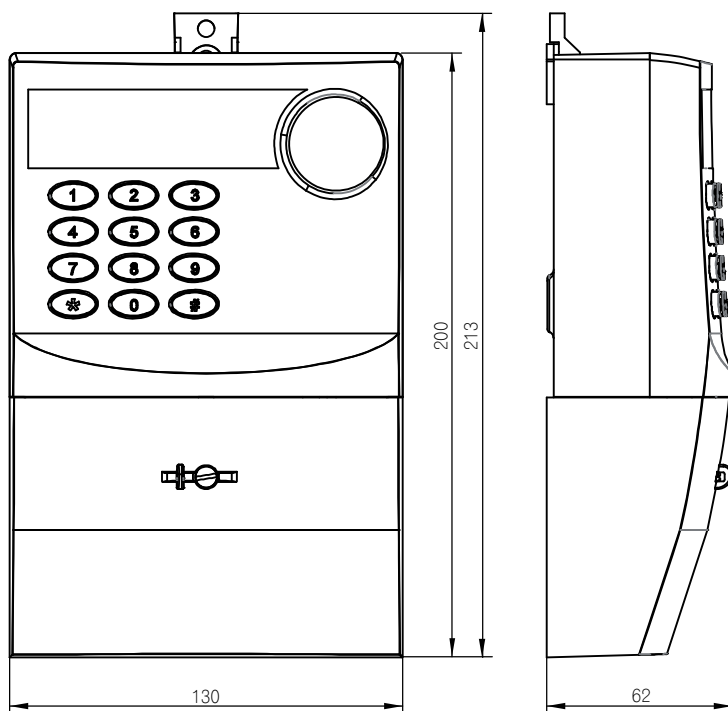
IEC 62055

Certificates STS-M0070

PTB – 2.3-4020019

SK 09-025 MI-003

JN1444-QS/1/2009



Wiring diagram

