



NORAX 3/CORAX 3'

Three-phase electricity meter



Multipurpose electricity meter for three-phase networks. Enables direct measurement of active and reactive power. Intended for municipal customers of all tariff groups.

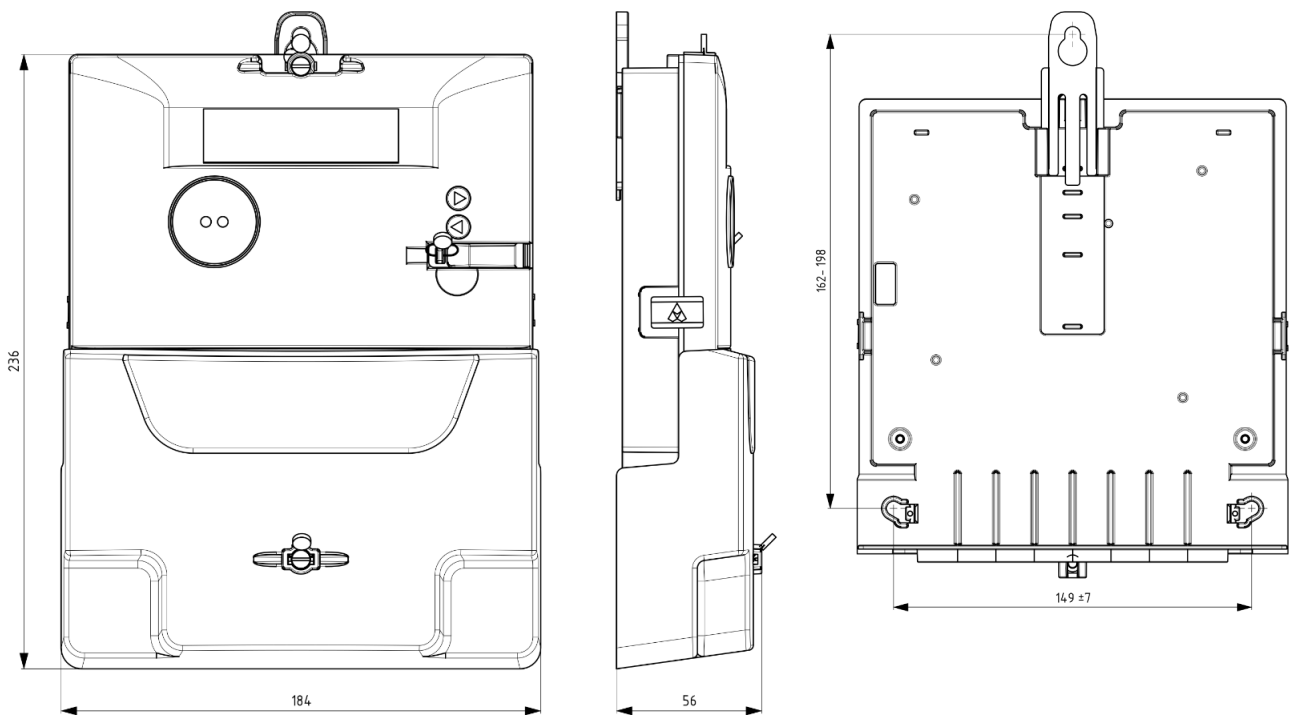
FEATURES

- Bidirectional measurement of active power
- Four-quadrant measurement of reactive power
- Measurement of voltage, current, instantaneous power and maximum power
- Load profile
- Communication protocol: DLMS/COSEM
- Local communication: optical port, serial port RS 485 (optional)
- Firmware upgrade (according WELMEC 7.2)
- Segment LCD display
- Resistance to external magnetic field

Simple, Multipurpose,
Modern

TECHNICAL DATA

Model		NORAX 3 / CORAX 3'	
Connection method		Direct	
Rated voltage U_n	[V]	3x230/400	
Reference current I_{ref}	[A]	5	
Maximum current I_{max}	[A]	60 or 80	
Measurement accuracy of active energy	acc. EN 50470-3	B	
Measurement accuracy of reactive energy	acc. EN 62053-23	2	
Metering type		A+, A-, A	
Power consumption in voltage circuit	[W] / [VA]	<1 / <2,5	
Electric strength	[kV]	4 (AC 50 Hz), 6 (impulses 1,2/50 μ s)	
Impulse frequency	[imp/kWh]	2500	
Clock		Internal, accuracy not lower than 0.5s/24h at 23°C	
Communication		Optical port and optional RS485 serial port: DLMS/COSEM protocol	
Display		Dedicated LCD display (The viewing area is 65 x 20 mm)	
Temperature of operation		-25 to +55 °C -40 to +70 °C (Optionally)	
Standards		MID Directive (B+D) EN 50470-1 EN 50470-3 EN 62053-23	



This publication has been made exclusively for information purposes and shall not constitute an offer under the civil law. The designs are presented as an example; functions of the meter can be customised.

