



EA 5

Single phase electricity meter

Multi-tariff electronic meter designed for active energy measurement in single phase, two-wire network. Broad functionality and communication options satisfy expectations of most challenging domestic customers.



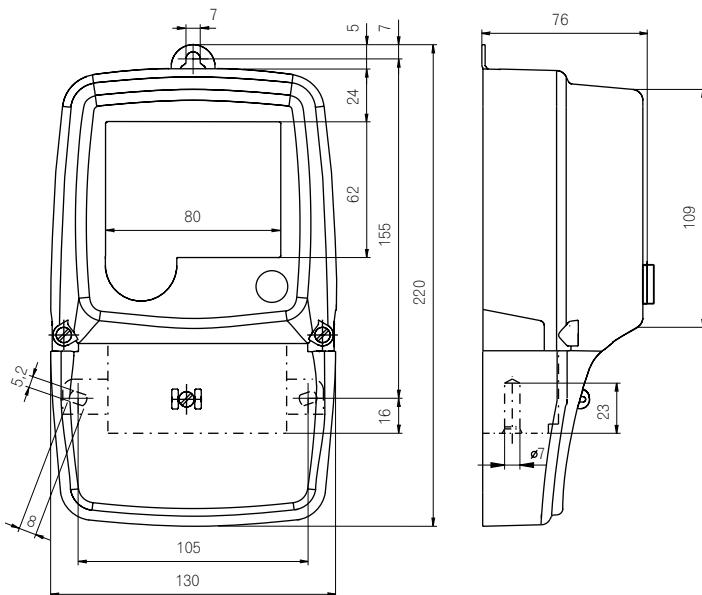
MAIN FEATURES

- Bidirectional active energy metering (import only, import and export or absolute)
- Maximum demand and excess demand recording
- Load profile recording with configurable integration period
- Local, automatic or remote resetting of billing period
- Archive of 16 billing periods data
- Four-tariff calendar controlled by internal real-time clock or tariff input
- 20-year calendar with special days and holidays.
- Tariff changing and time setting by a pushbutton
- Communication: optical port and serial port (RS-232 or RS-485)
- Pulse output of active energy
- Advanced event recording
- Immunity to magnetic field tampering
- Specialized LCD, indication of proper connection and phase voltages presence
- LCD data readout possible in case of mains power outage
- KomPaf maintenance software (optionally protected by USB port dongle)

Friendly, Reliable,
Trustworthy

TECHNICAL DATA

Type		EA 5grn
Connection method		Direct
Nominal voltage U_n	[V]	230
Reference current I_{ref}	[A]	5 or 10 or 15
Maximum current I_{max}	[A]	40 or 60
Accuracy class (active energy)		A or B
Power consumption in current circuit	[VA]	0,3
Power consumption in voltage circuit	[W] / [VA]	<0,7 / <1,2
Insulation voltage	[kV]	4 (AC 50 Hz), 6 (surge 1,2/50 μ s)
Pulse constant	[imp/kWh]	standard: 6400
Real-time clock		Internal RTC, accuracy better than 0,5 s/24h in temperature 23°C, synchronized to external signal.
Communication		Optical port, serial port (RS-485 or RS-232). Configurable baudrate: from 300 Bd to 9600 Bd. Protocol support: EN 62056-21 (IEC1107) and DLMS (optional).
Inputs		Tariff input
Outputs		Active energy pulse output
Event registering		Billing period reset, power outage and restoration, meter configuration, measurement data reset, terminal box cover removal, case opening; with energy register value, date and time of the event. Magnetic field tampering with time and date, event duration and energy consumed. Time of operation without mains power.
Display		Specialized LCD, 8 digit, support of OBIS data identification codes (EN 62056-61), two configurable data sequences.
Operating temperature range:		From -25°C to 55°C or from -40°C to 70°C
Case		IP 54, class II insulation
Approved according to:		EN 50470-1 EN 50470-3



TYPE DESIGNATION

12 EA 5grn / 1



This publication is only for information purposes and it can not be an offer according to the civil law regulations. The designs presented are the examples and there is possibility to modify the functionality of the meter.

