



A8

Single-phase induction electricity meter

A8 - Electromechanical watt-hour meters made by PAFAL

MAIN FEATURES

- Watt-hour meters for the measurement of alternating current electrical energy in single-phase circuits
- Meter case according to DIN or BS made of high quality plastics

OPTIONAL FEATURES

- Single- or double-rate registers
- Time switch built-in terminal cover
- Pulse output device (conversion of measured energy into proportional number of electrical impulses which can be received by energy and power register or other equipment for data processing)

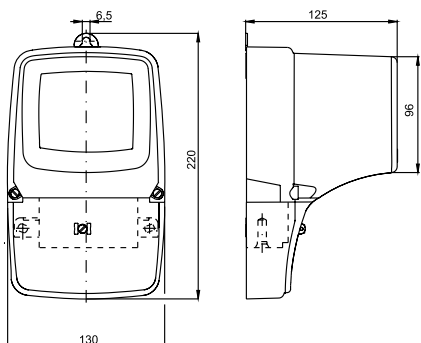


Reliable, Simple and Proven in Practice

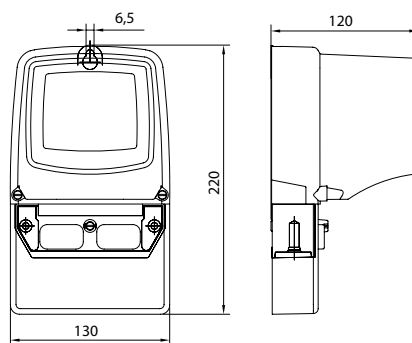
SPECIFICATIONS

Reference voltage (U_n)	[V]	220; 230; 240							120
Basic current (I_b)	[A]	5	5	10	10	10	15	20	15
Maximum current (I_{max})	[A]	30	40	40	60	80	60	80	60
Starting current	[mA]	25		50			75	100	75
Supply frequency (f_n)	[Hz]	50 / 60							
Impulse test voltage	[kV]	6							
AC insulation test voltage	[kV]	4							
Accuracy class		2 / A							
Protection degree		IP54 (outdoor meters)							
Number of tariff-rates		One or two							
Register		7 digits (height of 4,5 or 7,2 mm)							
Bottom bearing		double-jewel or magnetic suspension							
Upper bearing		pin-sleeve							
Operating temperature range	[°C]	-30 to 70							
Power consumption in voltage circuit	[W/VA]	1.1 / 4.4							
Power consumption in current circuit	[VA]	0.2							
Pulse output device		$I_{max} = 27 \text{ mA at } U = 27 \text{ V}$							
Weight	[kg]	1.2 - 1.4							
Standards		IEC EN 62052-11, IEC EN 62053-11 / EN 50470-1, EN 50470-2							

The meter specifications can be modified according to client's requirements



A8 meter's overall dimensions acc. to DIN

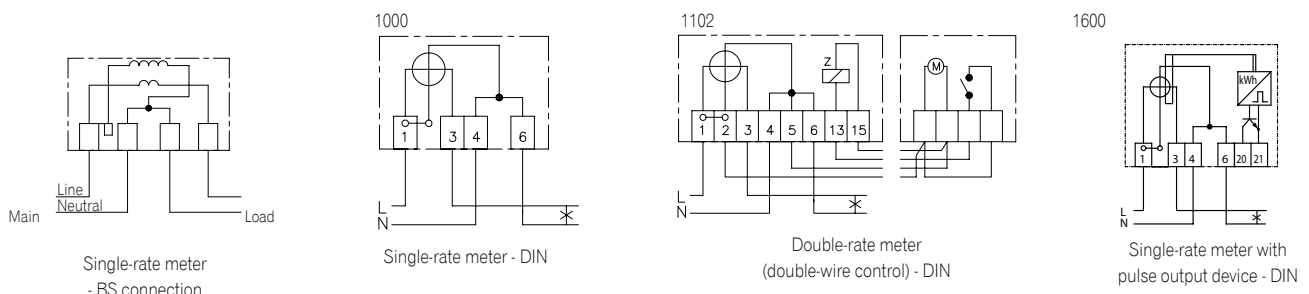


A8 meter's overall dimensions acc. to BS

6A8d

- 6** ratio of maximum current to basic current I_{max}/I_b
- A** induction single-phase meter
- 8** design designation
- a** transformer operated meter (lack of "a" letter means meter for direct connection)
- c** double-rate register
- d** reversal-preventing device
- g** pulse output device
- k** meter for single-phase 3-wire circuits
- m** magnetic bottom bearing

Connection diagrams



FAP PAFAL S.A.
 ul. Lukasinskiego 26, 58-100 Świdnica, Poland
 phone +48 74 852 75 88, fax +48 74 852 76 33
 pafal@pafal.com.pl

www.apator.com