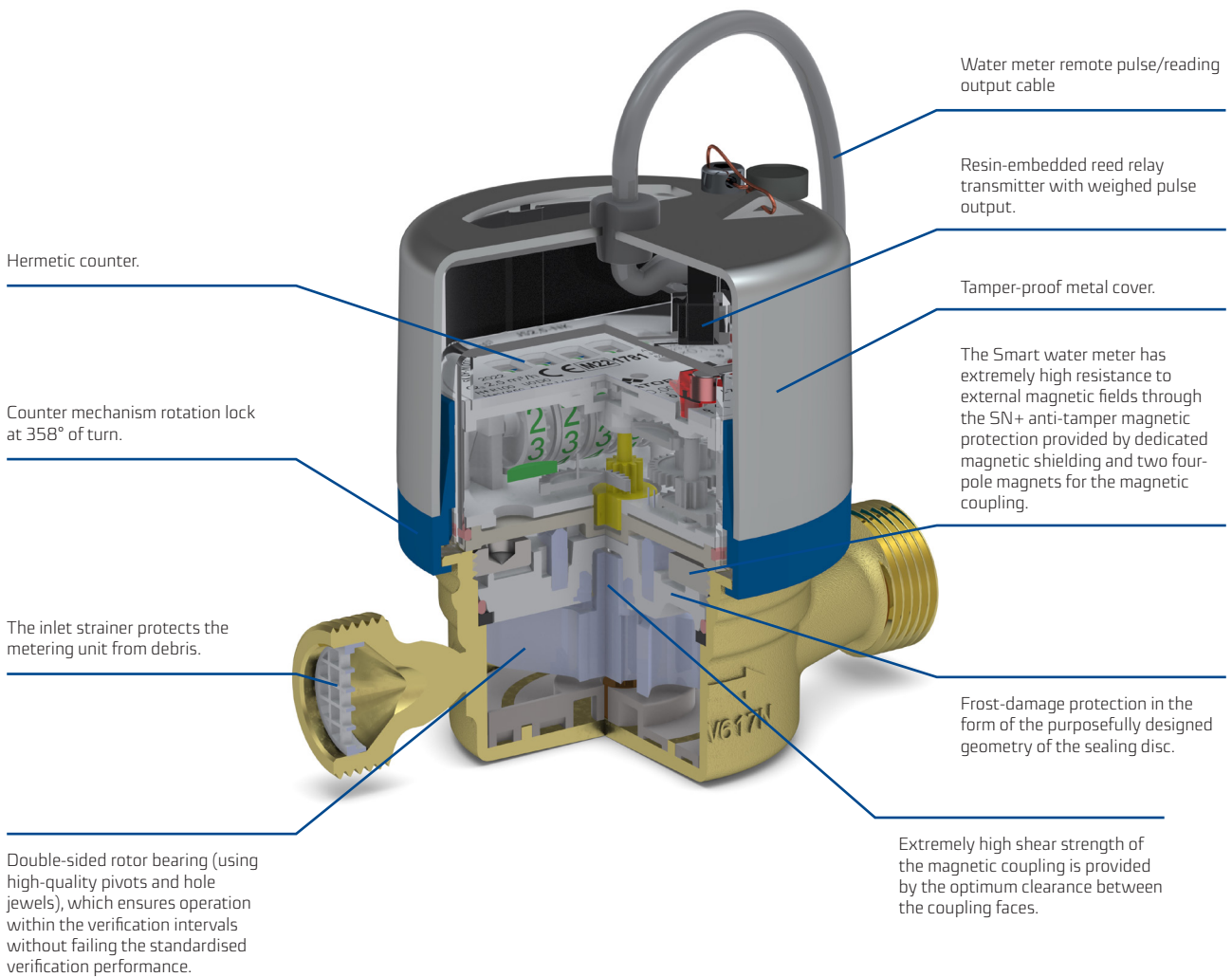


# JS-NK

DN15 & DN20 single-jet vane-wheel dry water meter

## JS-NK

The JS-NK is a single-jet vane-wheel dry water meter for measuring the flow and quantity of cold or hot water supplied in a closed-cycle system at a MOP (maximum operating pressure) of 16 bar (PN16). The water meter features a five-barrel counter, with the standard version rated for IP65 (IP68 is optional on request) and complete with SN+ anti-tamper magnetic protection, a brass body, and the NK pulse transmitter module. The unit is manufactured in compliance with the MID Directive for a measuring range of R=100.





## Application

Cold water supply systems operating at temperatures up to 50°C or hot water supply systems operating at temperatures up to 90°C in single and multi-family housing, industrial operations, and public facilities. The water meters can support AMR (automatic meter reading) connectivity. The water meter design facilitates installation in horizontal piping with the counter upward (H↑) or to either side (H→) and in vertical piping with the counter sideways (V).

## Advantages

### Provides savings

- Reliable readings by compliance with MID
- Exact measurements in the range R up to 100 (H) or 50 (V)
- Low starting flow
- EN14154 compliant resistance to external magnetic fields
- UODO: does not require upstream and downstream straight pipework runs
- Proprietary water meter counter cover design to increase resistance to adverse external effects

### Convenient in operation

- The water meters with the NK pulse transmitter module can provide remote/wired readings
- Hermetically sealed, non-fogging counter with improved ingress protection rating
- Counter mechanism rotation lock at 358° of turn
- Frost-damage protection

### Low maintenance costs

- Tested and robust design
- High operational durability

## Key features

- MID-compliant EC-type examination certificate
- Five-barrel counter, IP65-rated water meter standard version
- Certified materials approved for potable water
- Double-sided rotor bearings
- External mechanical tamper protection
- Water meter outlet end is pre-equipped for an optional check valve

Table 1. Specifications

Parameter				JS-NK*			
				JS 1,6-NK JS90 1,6**-NK	JS 2,5-NK JS90 2,5**-NK	JS 2,5-G1-NK JS90 2,5**-G1-NK	JS 4-NK JS90 4**-NK
Nominal diameter	DN	mm	15		20		
Permanent flow rate	Q <sub>3</sub>	m <sup>3</sup> /h	1.6	2.5		4	
Maximum flow rate	Q <sub>4</sub>	m <sup>3</sup> /h	2	3.125		5	
Transitional flow rate	cold water	H↑R100 V,H→R50	Q <sub>2</sub>	dm <sup>3</sup> /h	25.6	40	64
	hot water	H↑R80 V,H→R40			51.2	80	128
Minimum flow rate	cold water	H↑R100 V,H→R50	Q <sub>1</sub>	dm <sup>3</sup> /h	16	25	40
	hot water	H↑R80 V,H→R50			32	50	80
Starting flow	–	dm <sup>3</sup> /h	6	8		15	
Q <sub>2</sub> /Q <sub>1</sub> ratio	–	–	1.6				
Temperature class (rated operating temperature)	–	–	T30/90				
Flow profile sensitivity class	–	–	U0, D0				
Indicating range	–	m <sup>3</sup>	99999				
Resolution of reading	–	m <sup>3</sup>	0.00005				
Maximum pressure	P <sub>max</sub>	MPa	1.6				
Maximum pressure loss	Δp	kPa	63				
Maximum permissible error range: Q <sub>2</sub> ≤ Q ≤ Q <sub>4</sub>	ε	%	± 2 for water temperatures (0.1 to 30)°C ± 3 for water temperatures > 30°C				
Maximum permissible error range: Q <sub>1</sub> ≤ Q < Q <sub>2</sub>	ε	%	± 5				
NK reed relay pulse transmitter (IP65 only)	–	dm <sup>3</sup> / imp.	10 (standard pulsing) 0.25; 1; 2.5 (available on order)				
Water meter counter ingress protection class	–	–	IP 65				
Inlet and outlet pipe end threads	G	Inch	G¾	G¾	G1	G1	
Height	H	mm	68.5				
Height	h	mm	17				
Length	L	mm	110	110***	130	130	
Diameter	D	mm	72				
Weight (w/o connection fittings)	–	kg	0.463	0.458	0.589	0.552	

Water meter versions:

\* NK – with reed relay transmitter, standard wiring length 2 lin.m.

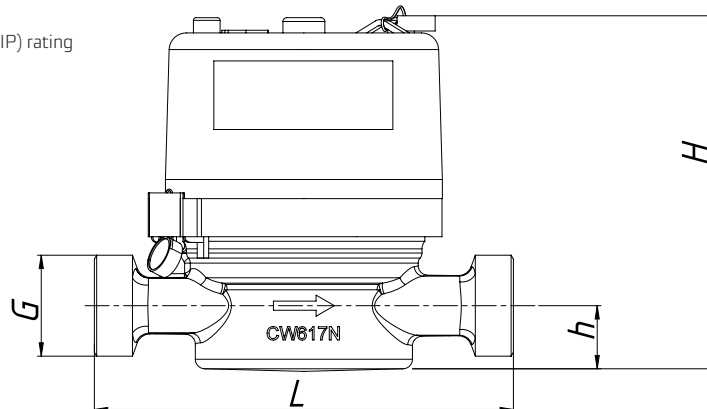
\*\* Special water meter versions available on request: -S – hardened bearing version

(for hot water circulation systems), not applicable to version 03

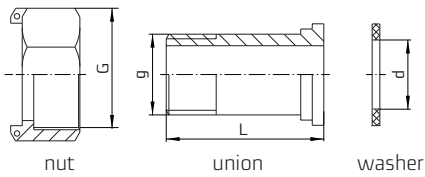
\*\*\* On request: 115 mm or 80 mm long versions (available in JS 2,5 and JS90 2,5 with brass bodies)

Available on request:

IP68 – counter ingress protection (IP) rating

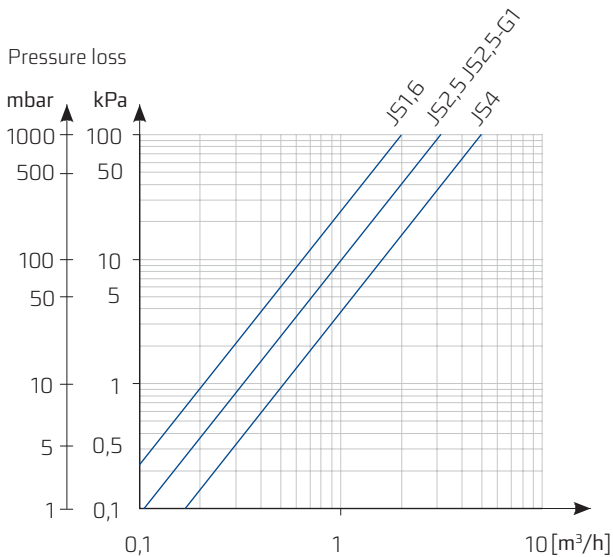


## Connection fittings

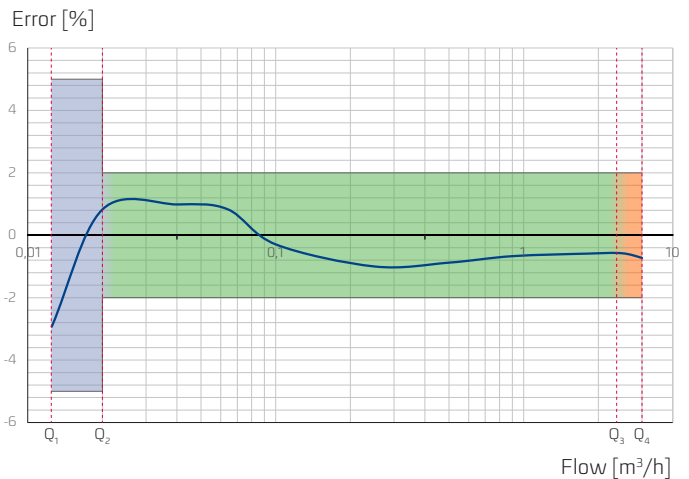


DN	G	g	d	L
	inch	inch	mm	mm
15	3/4	1/2	17	37.5
20	1	3/4	23	45.6

## Pressure loss chart



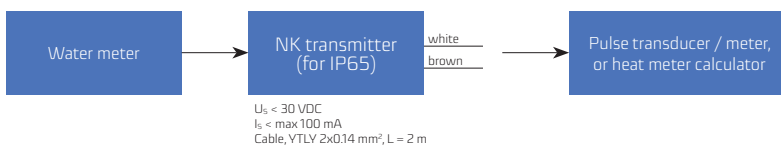
## Typical error chart



## Regulatory and standard compliance

- Directive 2014/32/EC of the European Parliament and of the Council of 26 February 2014 on the harmonisation of the laws of the Member States relating to the making available on the market of measuring instruments,
- Polish Act of 13/04/2016 on market surveillance and compliance assessment systems,
- EN-ISO 4064-1÷5: 2014 (E) - Water meters for cold potable water and hot water,
- OIML R49:2013 - Water meters intended for the metering of cold potable water and hot water,
- EC type test certificate-cold water,
- Classification of environmental, climate and mechanical conditions: Class B (ref. EN-ISO 4064-1:2014 (E)),
- Classification of mechanical environmental conditions: class M1, per Directive 2014/32/EU of the European Parliament and of the Council of 26 February 2014,
- Classification of electromagnetic environmental conditions: Class E1, E2 (ref. EN-ISO 4064:2014) per Directive 2014/32/EU of the European Parliament and of the Council of 26 February 2014,

**PZH National Institute of Hygiene certificate (all materials used in JS-NK water meters have Hygiene Certificates for use with potable water).**



The data presented in the datasheet was correct on the date of publication.  
The manufacturer reserves the right to modify and improve its products without notice.  
This publication is indicative only and should not be construed as a commercial offer under the Polish Civil Code.



**Apator Powogaz S.A.**

Jaryszki 1c, 62-023 Żerniki, Poland

**Office:** sekretariat.powogaz@apator.com, tel. +48 61 84 18 101

**Sales / Customer Service:** tel.: +48 61 84 18 149

**Customer Service Centre Support:** handel.powogaz@apator.com

**Export:** export.powogaz@apator.com

**Technical Support:** support.powogaz@apator.com, tel. +48 61 8418 131, 134, 294

**Warranty Claims:** reklamacje.powogaz@apator.com