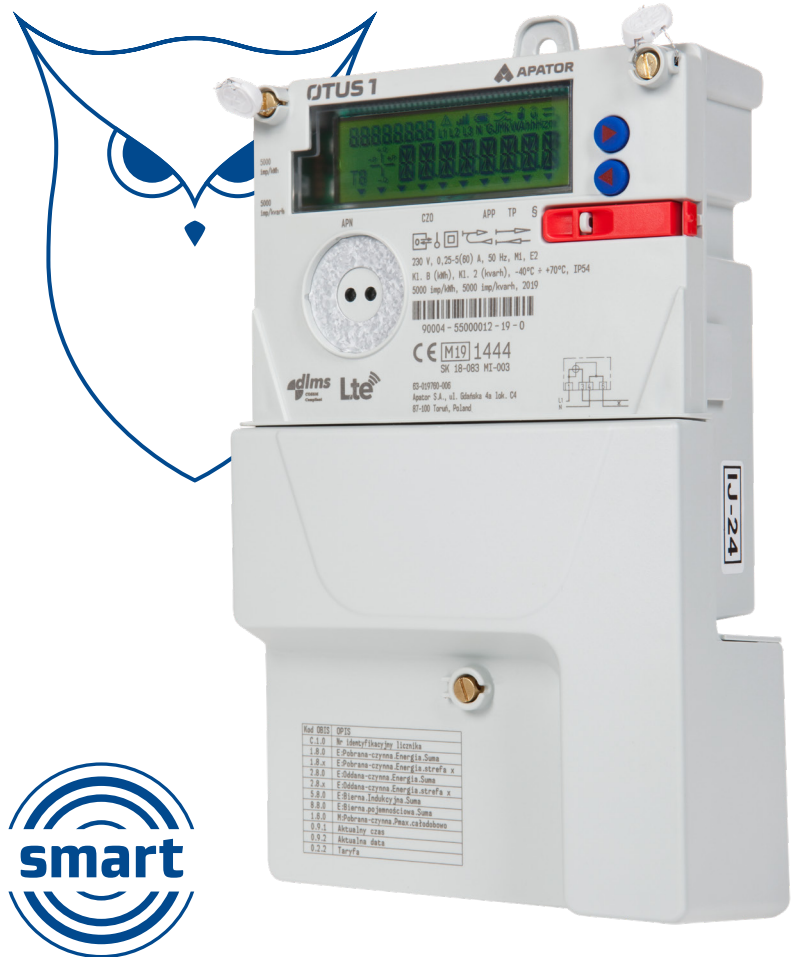


Three-phase electricity meter OTUS 3



Application

Multipurpose smart electricity meter for three-phase four-wire networks. It enables direct measurement of active and reactive energy and of network parameters. It is ideal for municipal customers of all tariff groups. Provides full compatibility with smart systems.

Features

- Bidirectional measurement of active energy
- Four-quadrant measurement of reactive energy
- Four tariff metering
- Measurement of voltage, current and instantaneous and maximum power
- 15-minute load profile, 10-minute voltage and phase current profile, daily profile and monthly billing periods
- Integrated disconnecter
- Local communication: optical port, RS-485 serial port
- Remote access via interchangeable GSM communication module, Wireless M-Bus 868 MHz (EN 13757) (optional)
- Authorized and encrypted communication by DLMS/COSEM protocol
- Power limiter controlled locally or remotely via DSM/DSR signals
- Remote non-legally relevant firmware update
- Dedicated LCD
- Resistance to external magnetic fields
- Neutral current measurement, balancing phase and neutral current
- Event and alarm registration
- Relay contact output 240 V AC / 5 A (optional) or SO impulse output (optional)

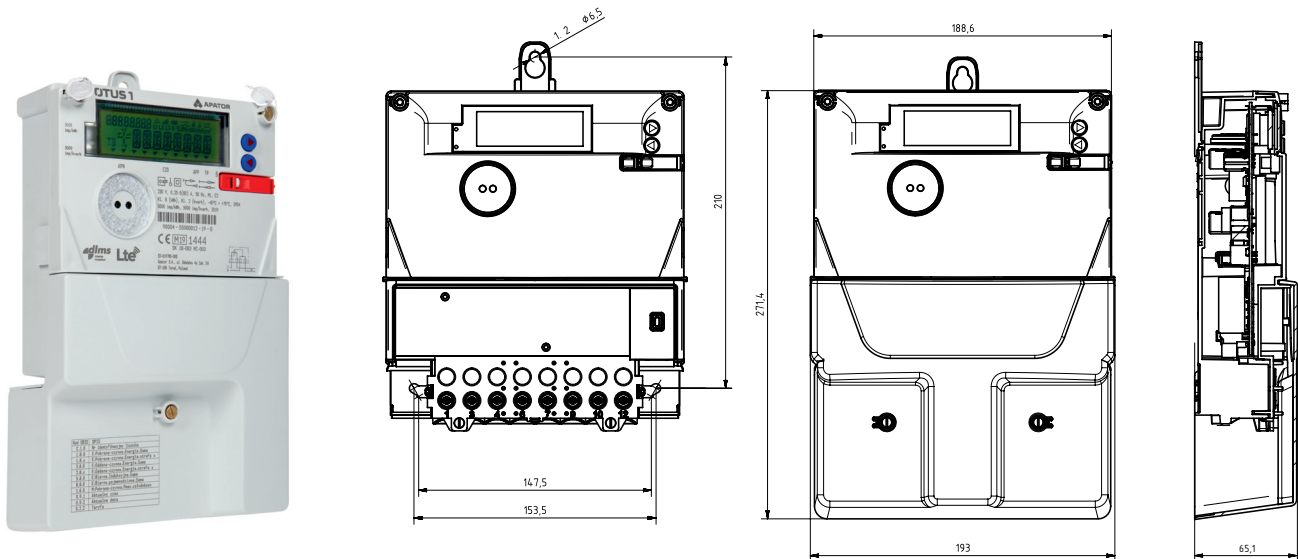
Do you know that...



OTUS means **OWL**
in Latin: a symbol of
wisdom and intelligence.

Key Technical Parameters

Model	OTUS 3
Connection method	Direct
Rated voltage U_n	3x230/400 V
Reference current I_{ref}	5 A
Maximum current I_{max}	80 or 100 A
Frequency	50 Hz
Accuracy class for active energy	B
Accuracy class for reactive energy	2
Insulation	4 (AC 50 Hz), 6 (surge 1,2/50 μ s) kV
Meter constant	2500 [imp/kWh]
Clock	Internal RTC, accuracy not lower than 0.5 s/24 h at 23°C
Communication	Optical port, RS-485 serial port (optional), interchangeable GSM based communication module, Wireless M-Bus 868 MHz (EN 13757) (optional)
Display	Dedicated LCD
Operating temperature	- 40 to +70°C (optional)
Housing	II protection class
Ingress protection rating	IP54
Standards	EN 50470-1 EN 50470-3



kWh

kvarh

$P_{(t)}$

P_{max}

P_{III}